

Be sure to read this instructions manual before using this product.
Keep this manual available for reference when needed.

Instruction for Use

Trade Name: Radiographic Table Tops

Contraindication/Prohibition

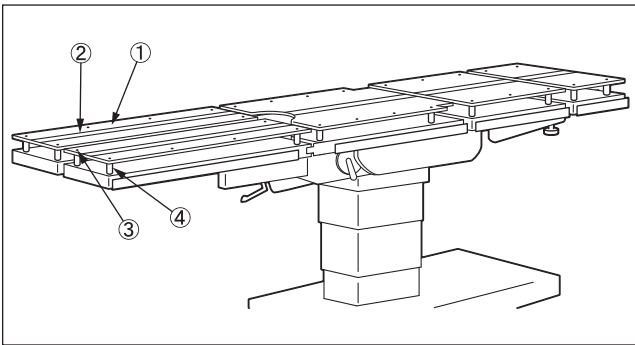
1. Use only on the applicable operating tables listed in the brochure "OPERATING TABLE ACCESSORIES" of Mizuho.
2. Do not soak the Cassette board in ethanol-based disinfectant for a long time. Doing so may damage this product.

Symbol mark for labeling

MD : Medical Device

Specifications

1. Shape



Code No.	Product Description
08-088-10	Radiographic Tops for 5801S/3500 Series
08-088-10-UE	Radiographic Tops for 3500 Series (UE)
08-088-20	Radiographic Table Top MOT-5602SRMB
08-088-22	Radiographic Table Tops for SPL-331
08-088-28	Radiographic Table Top for 1602BW
08-088-28-UE	Radiographic Table Top for 1602BW
08-088-59	Radiographic Table Tops for 1302B
08-088-61	Radiographic Table Top for MOT-5701
08-089-10	Radiographic Tops for 3600 Series
08-089-10-UE	Radiographic Tops for 3600 Series (UE)
08-089-11	Radiographic Tops for 6700 Series
08-089-11-UE	Radiographic Tops for 6700 Series (UE)
08-089-12	Radiographic Tops for 6300 Series
08-089-12-UE	Radiographic Tops for 6300 Series (UE)
08-089-15-UE	Radiographic Table Top for 1602X & 1602 (UE)
5-010-26-B	1602 X-Ray Top Set
5-010-28-B	1602SL X-Ray Top Set

2. Material

- ① Cassette board: Thermosetting resin laminated board
- ② Attachment tape: Nylon
- ③ Flat head screw: Stainless steel
- ④ Radiographic top leg: Carbon tool steel

Note: The number corresponds to those used in 1. Shape.

Intended purpose

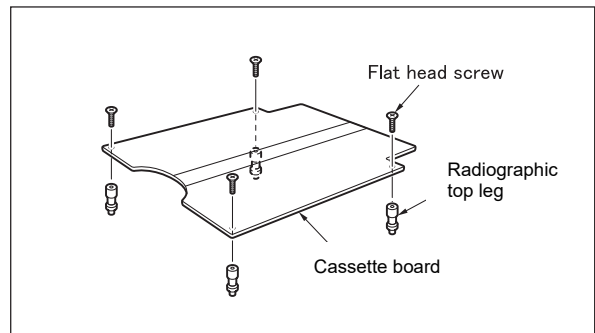
This is an accessory attached to the operating table. It is attached to the table top of operating table to store the radiography cassette.

Intended user

This product is to be used by health care professionals, including but not limited to surgeons, nurses and biomedical technicians.

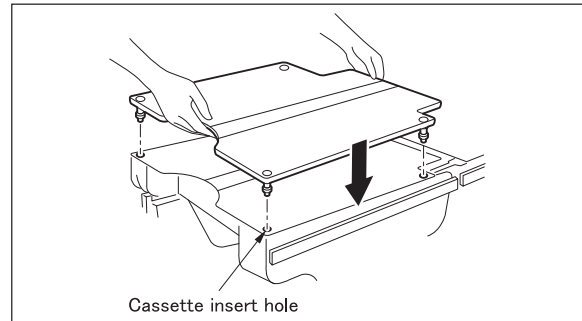
Instructions for use

1. Assembling the radiographic tops



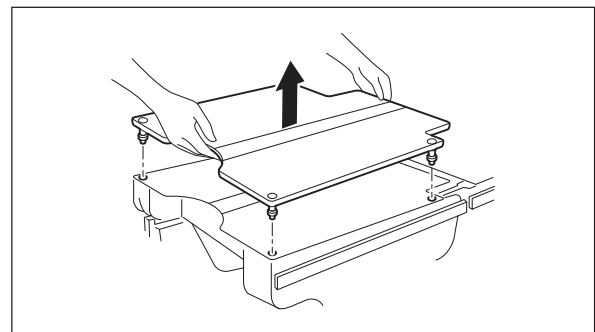
Attach the Radiographic top legs to the Cassette board with Flat head screws.

2. Attachment to the operating table



Align the end of Radiographic top legs to the Cassette insert holes of table top and insert the Cassette board straightly.

3. Detachment from the operating table

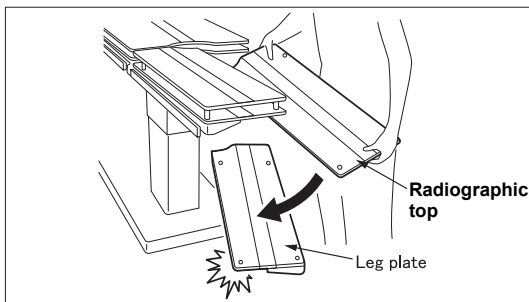
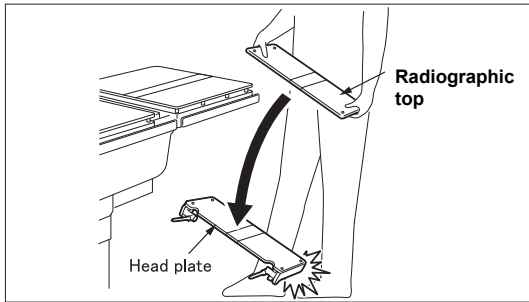


Lift the Cassette board straightly.

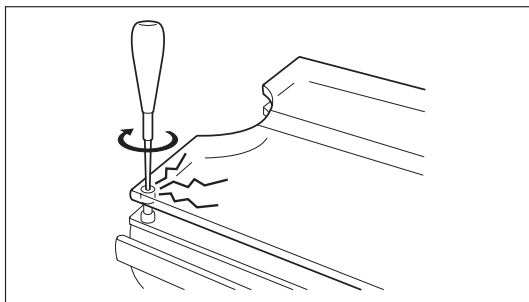
Warning/ Caution

1. Important fundamental cautions

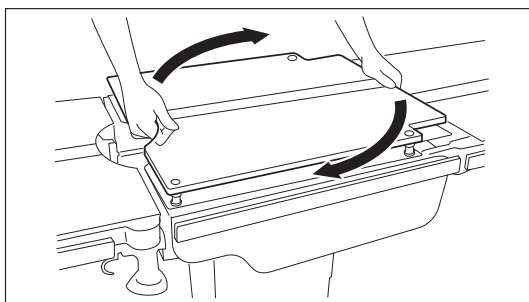
- ① When removing releasable table plates, including the head plate and the leg plate, always hold the body of these plates to remove. If they are removed holding the radiographic tops, these plates could be disengaged and dropped, resulting in injury or damage.



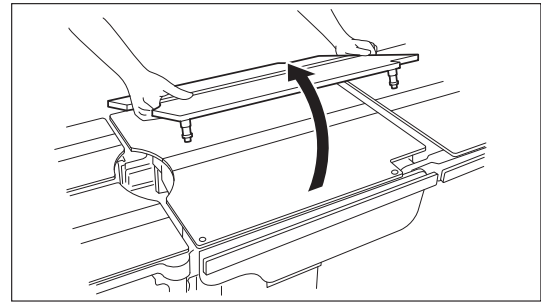
- ② When operating the refraction function, including the back plate or hip plate, keep hands or object away from the refracting section of radiographic tops, to prevent injury or damage.
- ③ When working with an operating table, take care not to allow this product to make contact or interfere with other tools and appliances used in combination with this product. Otherwise the product could break.
- ④ For hygiene, be sure to use sterilized drapes on the areas on this product where the patient comes into contact with it.
- ⑤ When installing the Radiographic top leg to the Cassette board, do not tighten the Flat head screw forcibly. It could cause cracks that break the Cassette board.



- ⑥ Do not remove as shown below. It could damage the Cassette board.



©-1 Twist the Cassette board to remove.



©-2 Pull it toward the operator to remove.

Storage/Life

- 1. Storage
 - Do not store the device in high temperature or in areas with high humidity with drastic temperature or humidity variations.
- 2. Service life of this product: 7 years
(Subject to the specified maintenance and inspection and is stored properly.)

Maintenance/Inspection

<By the user>

- 1. Inspection before and after use
 - Check that this product is not damaged or broken before and after each use.
- 2. Cleaning and disinfection
 - Wipe off blood, chemicals, contaminants, and other stains with water, and clean the device with gauze or other material moistened with alcohol to disinfect.
- 3. In case of a malfunction
 - When this product is broken, clearly label the device as "Broken", "Do not use", "Need repair", etc., and contact your local dealer or Mizuho.

<By agents>

Maintenance and inspection can only be carried out by certified agents of Mizuho.

Packing

1 piece per pack

Warranty

MIZUHO Corporation will repair defective parts of this product without charge for one year from the date of delivery/installment except for cases of damage caused by a third party's repair, act of nature, improper use or intentional damage. All other warranty terms and conditions are subject to regulations of MIZUHO Corporation.

Disposal

This device must be disposed of in accordance with local regulations. Please contact your local distributor for proper disposal.

Notice

Any serious incident that has occurred in relation to the device should be reported to the manufacturer and the competent authority in which the user and/or patient is established.

Manufacturer



MIZUHO Corporation
3-30-13 Hongo, Bunkyo-ku, Tokyo 113-0033, Japan
<http://www.mizuho.co.jp>

European authorized representative



Emergo Europe B.V.
Prinsessegracht 20, 2514 AP, The Hague
The Netherlands

Be sure to read this instructions manual before using this product.
Keep this manual available for reference when needed.

Instruction for Use

Trade Name: Radiographic Table Tops

Contraindication/Prohibition

1. Use only on the applicable operating tables listed in the brochure "OPERATING TABLE ACCESSORIES" of Mizuho.
2. Do not soak the Cassette board in ethanol-based disinfectant for a long time. Doing so may damage this product.

Symbol mark for labeling

MD : Medical Device

Specifications

1. Shape

Code No.	Product Description
08-088-18	Radiographic Top for MOT-7201

2. Material

Cassette board: Thermosetting resin laminated board
Attachment tape: Nylon
Radiographic top leg: Carbon tool steel

Intended purpose

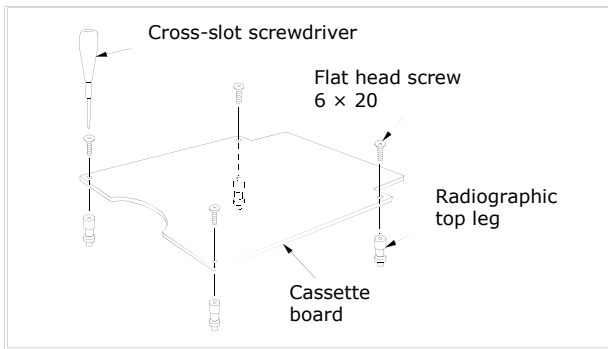
This is an accessory attached to the operating table. It is attached to the table top of operating table to store the radiography cassette.

Intended user

This product is to be used by health care professionals, including but not limited to surgeons, nurses and biomedical technicians.

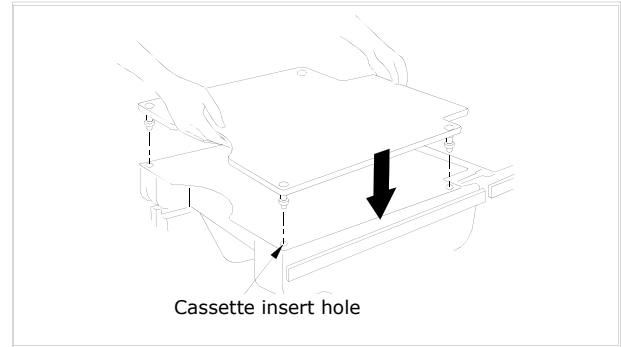
Instructions for use

1. Assembling the radiographic tops



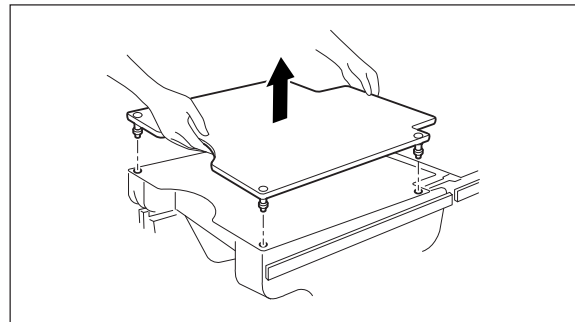
Attach the radiographic top legs to the Cassette board with Flat head screws.

2. Attachment to the operating table



Align the end of Radiographic top legs to the Cassette insert holes of table top and insert the Cassette board straightly.

3. Detachment from the operating table

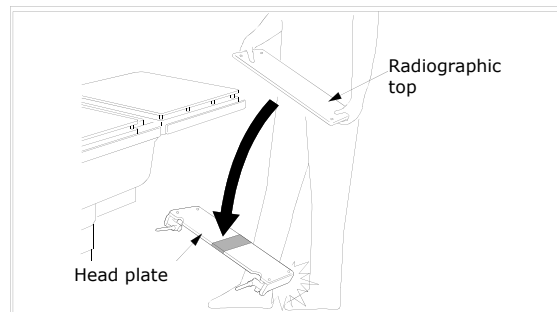


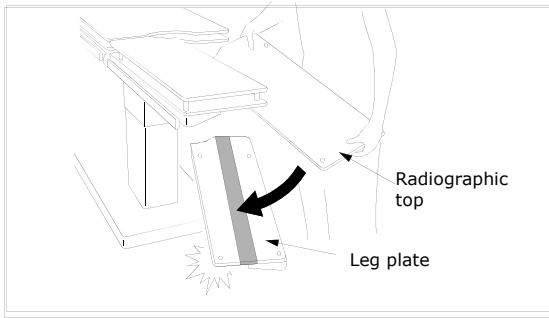
Lift the Cassette board straightly.

Warning/Caution

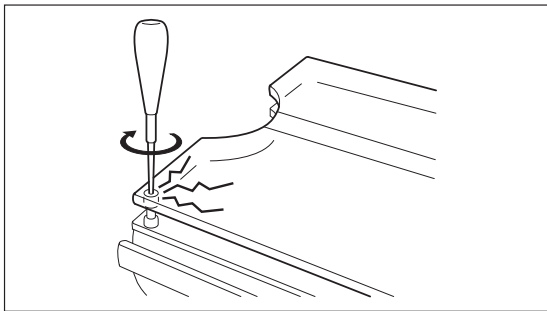
1. Important fundamental cautions

- ① When removing releasable table plates, including the head plate and the leg plate, always hold the body of these plates to remove. If they are removed holding the radiographic tops, these plates could be disengaged and dropped, resulting in injury or damage.

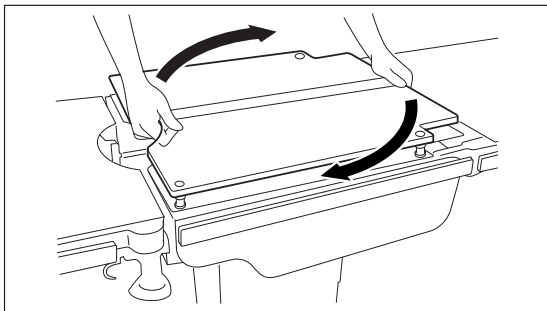




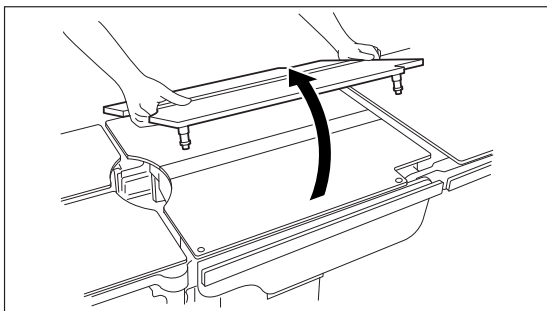
- ② When operating the refraction function, including the back plate or hip plate, keep hands or object away from the refracting section of radiographic tops, to prevent injury or damage.
- ③ When working with an operating table, take care not to allow this product to make contact or interfere with other tools and appliances used in combination with this product. Otherwise the product could break.
- ④ For hygiene, be sure to use sterilized drapes on the areas on this product where the patient comes into contact with it.
- ⑤ When installing the Radiographic top leg to the Cassette board, do not tighten the Flat head screw forcibly. It could cause cracks that break the Cassette board.



- ⑥ Do not remove as shown below. It could damage the Cassette board.



- ⑥-1 Twist the Cassette board to remove.



- ⑥-2 Pull it toward the operator to remove.

Storage/Life

- 1. Storage
 - Do not store the device in high temperature or in areas with high humidity with drastic temperature or humidity variations.
- 2. Service life of this product: 7 years
 - (Subject to the specified maintenance and inspection and is stored properly.)

Maintenance/Inspection

<By the user>

- 1. Inspection before and after use
 - Check that this product is not damaged or broken before and after use.
- 2. Cleaning and disinfection
 - Wipe off blood, chemicals, contaminants, and other stains with water, and clean the device with gauze or other material moistened with alcohol to disinfect.
- 3. In case of a malfunction
 - If you need to have this product repaired, clearly label the device as "Broken", "Need repair" etc. and contact your local dealer or Mizuho.

<By agents>

Maintenance and inspection can only be carried out by certified agents of Mizuho.

Packing

1 piece per pack

Warranty

MIZUHO Corporation will repair defective parts of this product without charge for one year from the date of delivery/installment except for cases of damage caused by a third party's repair, act of nature, improper use or intentional damage. All other warranty terms and conditions are subject to regulations of MIZUHO Corporation.

Disposal

This device must be disposed of in accordance with local regulations. Please contact your local distributor for proper disposal.

Notice

Any serious incident that has occurred in relation to the device should be reported to the manufacturer and the competent authority in which the user and/or patient is established.

Manufacturer



MIZUHO Corporation
 3-30-13 Hongo, Bunkyo-ku, Tokyo 113-0033 Japan
<http://www.mizuho.co.jp>